

8

7

6

5

4

3

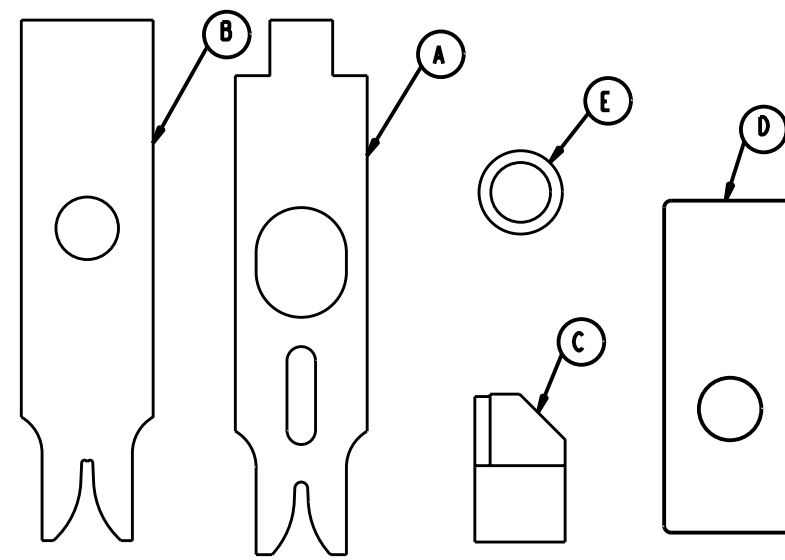
2

1

DRAWING REVISIONS

REV	DOCUMENT	APP	DATE
1	RELEASED TO SALE		05/23/01
2	REVISED NOTES		06/05/01
A	RELEASED TO FILE 01-1261	CO	06/13/01

ITEM	QTY	DESCRIPTION
A	1	INSULATION PUNCH
B	1	WIRE PUNCH
C	1	ANVIL
D	1	SPACER
E	1	SPACER RING 2.4MM

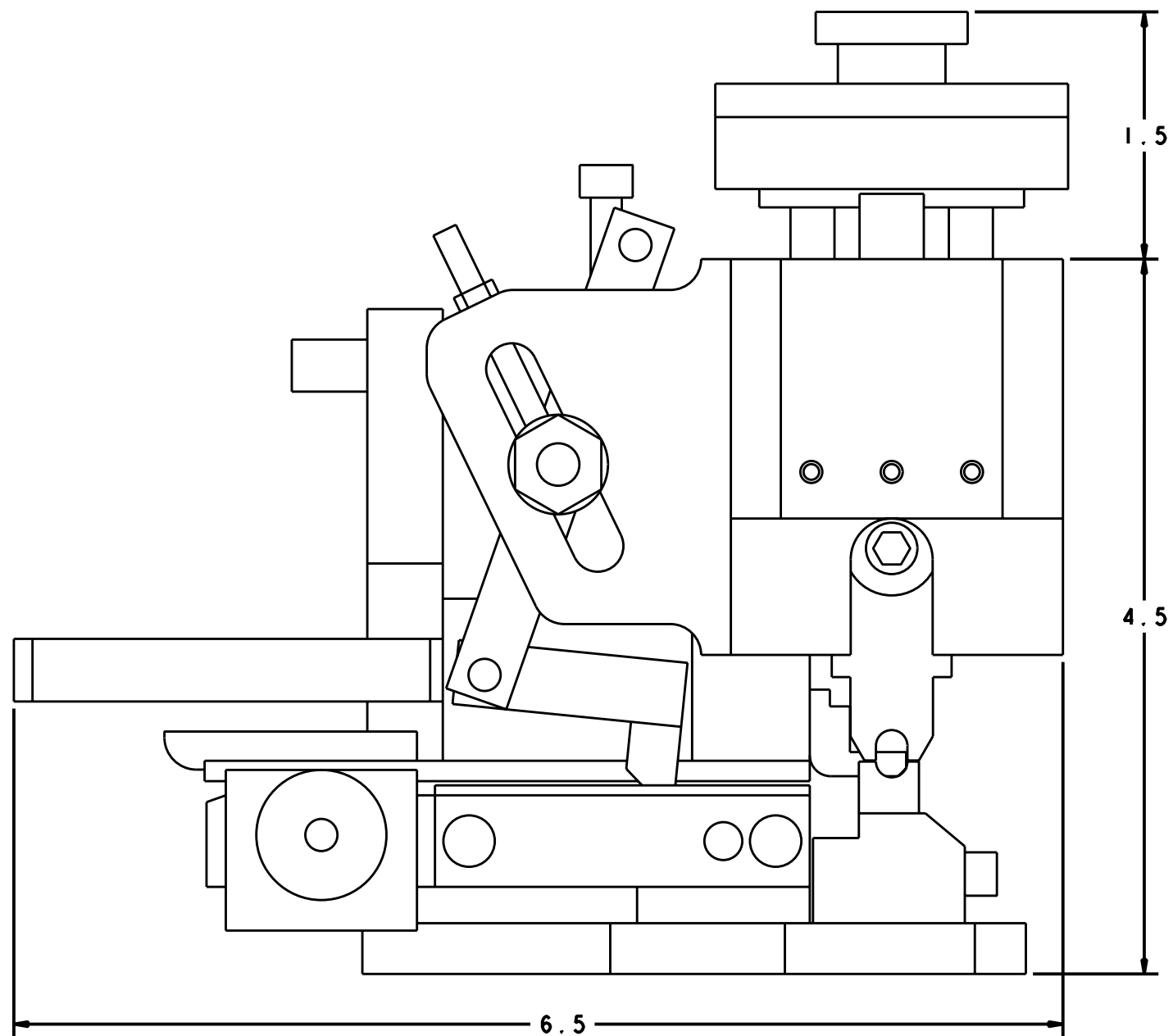


SPARE PARTS KIT: 5991111624

NOTE 1:
THIS APPLICATOR COMES EQUIP TO CRIMP CINCH
TERMINAL 4250000873

NOTE 2:
TO CRIMP TERMINAL 4250000872, USE KIT NUMBER:
5991111623

NOTE 3:
THIS APPLICATOR FITS MOST 40MM (1.5") STROKE
PRESS



NOTE: DO NOT SCALE DRAWINGS

UNITS	ENGLISH	PRO/E	Cinch		MODELED BY:
DO NOT SCALE DRAWING	DRAWN BY C. ONG	DATE 05/23/01	TITLE APPLICATOR, CRIMP, (4250000873)		1700 FINLEY RD LOMBARD, IL. 60148
	DESIGN ENGINEER		MATERIAL	CONTROL SPEC NUMBER	
	DESIGN ENGINEERING MGR. C. ONG	05/23/01	MATERIAL SPEC NUMBER	FINISH	PROJECT NUMBER
	MFG. ENGINEERING		CAD FILE NUMBER 5991111622S	DRAWING NUMBER 599 11 11 622S	
	QUALITY ASSURANCE		CAGE IDENT NO. SIZE 71785 B	SCALE 1:1	SHEET 1 OF 1

THIS DOCUMENT IS THE PROPERTY OF CINCH. NEITHER THIS DOCUMENT NOR ANY OF THE INFORMATION CONTAINED IN IT MAY BE DUPLICATED OR DISCLOSED WITHOUT PRIOR WRITTEN CONSENT OF CINCH.

8

7

6

5

4

3

2

1